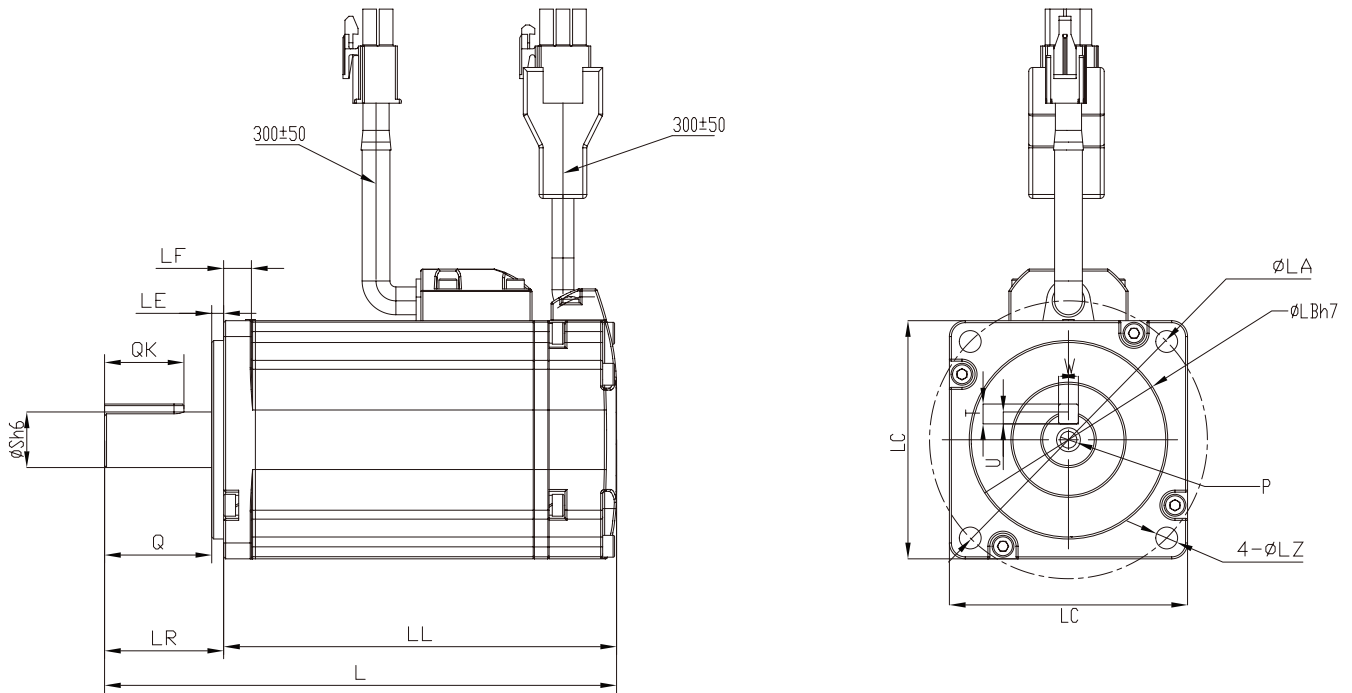


UMM-B4: Motor Dimensions



unit: mm

| Part Number | L* | LL* | Flange Side | | | | | | | S | Tap x Depth | Key | | | | |
|----------------|---------------|---------------|-------------|-----|----|----|----|----|-----|----|-------------|-----|---|---|-----|------|
| | | | LR | LE | LF | LC | LA | LB | LZ | | | QK | W | T | U | Q |
| UMM-0000BA□-B4 | 92.5 (126) | 62.5 (96) | 25 | 2.5 | 5 | 40 | 46 | 30 | 4.3 | 8 | M3X6 | 14 | 3 | 3 | 1.8 | 22.5 |
| UMM-0001BA□-B4 | 108.5 (142) | 78.5 (112) | | | | | | | | | | | | | | |
| UMM-0002BA□-B4 | 108 (137) | 78 (107) | 30 | 3 | 7 | 60 | 70 | 50 | 6 | 14 | M5x12 | 20 | 5 | 5 | 3 | 27 |
| UMM-0004BA□-B4 | 129 (158) | 99 (128) | | | | | | | | | | | | | | |
| UMM-0007CA□-B4 | 141 (184) | 111 (144) | 40 | 3 | 8 | 80 | 90 | 70 | 7 | 19 | M6x12 | 25 | 6 | 6 | 3.5 | 37 |
| UMM-0010CA□-B4 | 155 (198) | 125 (158) | | | | | | | | | | | | | | |
| UMM-0002BN□-B4 | 126.5 (155.5) | 96.5 (125.5) | 30 | 3 | 7 | 60 | 70 | 50 | 6 | 14 | M5x12 | 20 | 5 | 5 | 3 | 27 |
| UMM-0004BN□-B4 | 147.5 (176.5) | 117.5 (146.5) | | | | | | | | | | | | | | |
| UMM-0007CN□-B4 | 159.5 (202.5) | 129.5 (162.5) | 40 | 3 | 8 | 80 | 90 | 70 | 7 | 19 | M6x12 | 25 | 6 | 6 | 3.5 | 37 |
| UMM-0010CN□-B4 | 173.5 (216.5) | 143.5 (176.5) | | | | | | | | | | | | | | |

*The values in parentheses are for servo motors with holding brakes

□ - Add the letter B in the square in order to include holding brake eg. UMM-0004BA□-B4 -> UMM-0004BAB-B4



UNITRONICS®
www.unitronics-cannabis.com